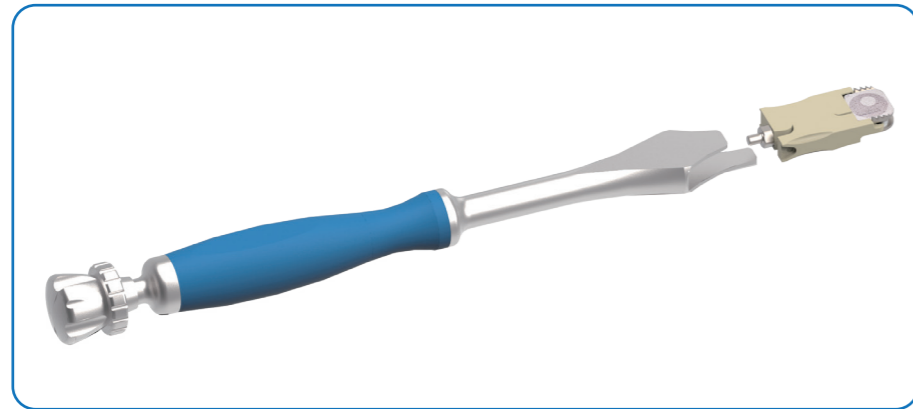


No need to grind the endplate and groove the high ridge. No need screw to provide fixation, minimizing damage to the endplate and preventing settlement and fusion.

It protects the anatomy of adjacent segments and does not affect other types of surgeries on adjacent segments, such as fusion surgery.

Dedicated inserter and pre-assembled Peek clamp allows insertion more gently in one step, easy and safe.

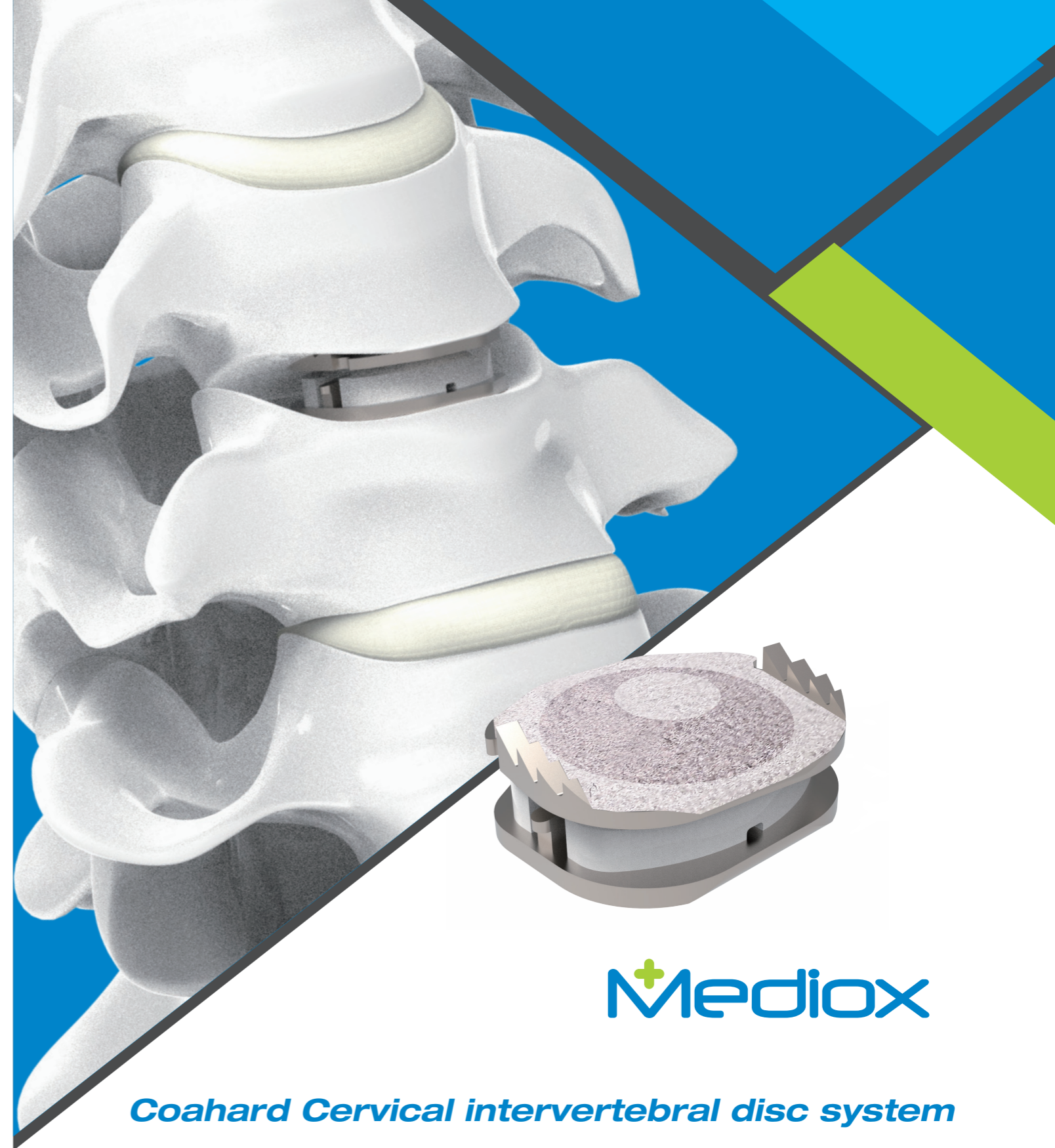


Indications:

- Level from C 3 to C 7
- Single-level or multi-level artificial disc replacement
- Cervical spondylosis of radiculopathy or myelopathy and cervical disc herniation require anterior decompression
- Correct conservative or drug treatment is ineffective

Product information:

Product Code	Specification	Product Code	Specification
S951910001	15×13×4.5	S951910041	19×15×4.5
S951910002	15×13×5	S951910042	19×15×5
S951910003	15×13×6	S951910043	19×15×6
S951910004	15×13×7	S951910051	19×17×4.5
S951910005	15×13×8	S951910052	19×17×5
S951910011	15×15×4.5	S951910053	19×17×6
S951910012	15×15×5	S951910061	19×19×4.5
S951910013	15×15×6	S951910062	19×19×5
S951910016	17×13×4.5	S951910063	19×19×6
S951910017	17×13×5		
S951910018	17×13×6		
S951910026	17×15×4.5		
S951910027	17×15×5		
S951910028	17×15×6		
S951910036	17×17×4.5		
S951910037	17×17×5		
S951910038	17×17×6		



Features :

Anatomically Shaped superior Endplate

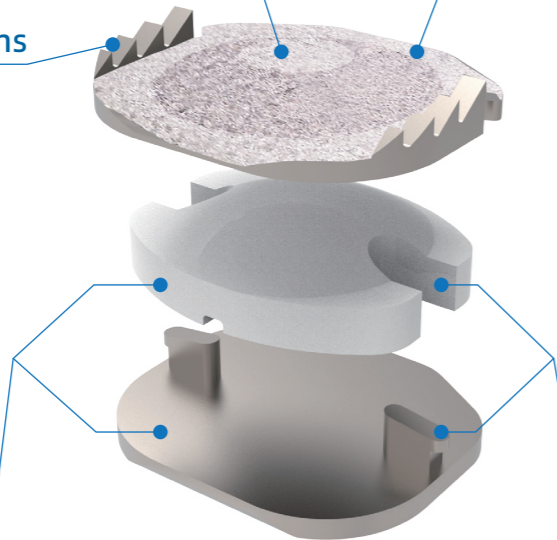
The domed shape of the superior endplate matches the arc-shaped concave of the inferior endplate of the upper vertebral body, allowing the implant to be in close contact with the bone tissue.

Plasma sprayed titanium and HA coated

Promote bone tissue growth for long-term stability.

Lateral Inclined Serrations

Ensure secure fixation with the dense peripheral vertebral endplate while facilitating the implantation of the prosthesis.



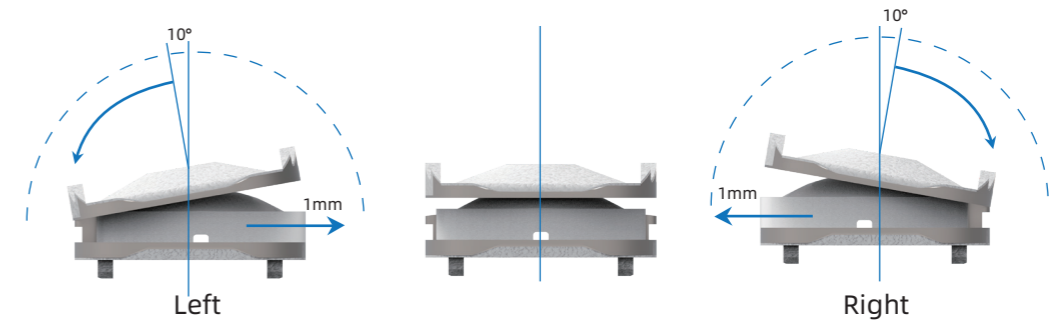
CoCrMo and UHMWPE

Renowned biocompatible materials, with optimized contact surfaces, providing a perfect balance and natural friction between flat and curved surfaces.

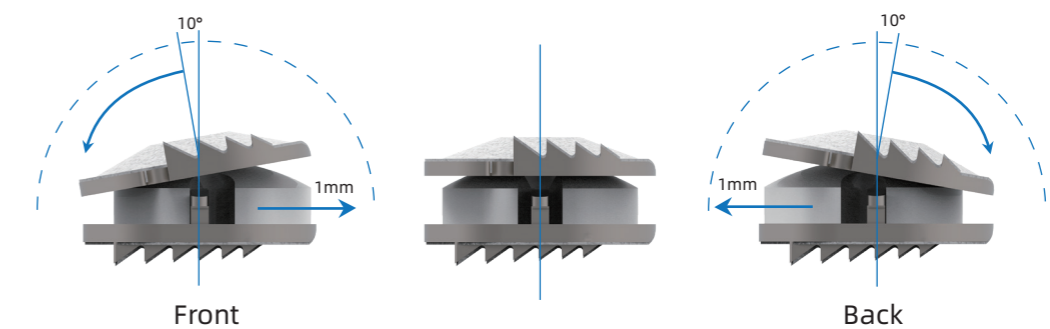
Tabs and Mobile bearing core

Control the range of motion, prevent dislocation, and ensure proper positioning of the superior vertebra induced by facet joint movement.

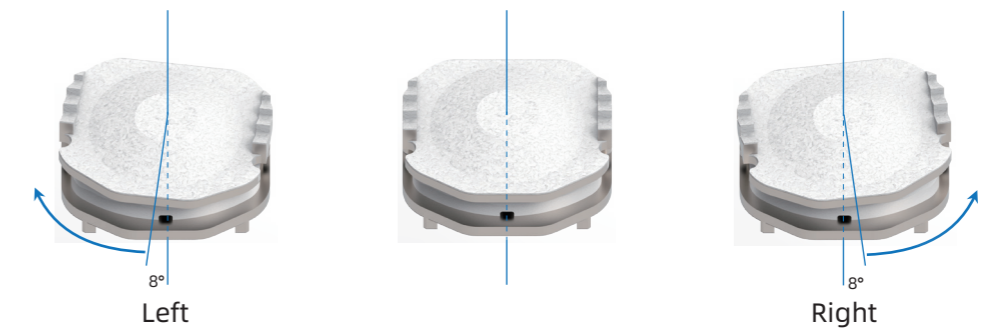
Mobility :



Lateral bend +/- 10°
Translation +/- 1 mm



Flexion/extension +/- 10°
Translation +/- 1 mm



Rotation 8°